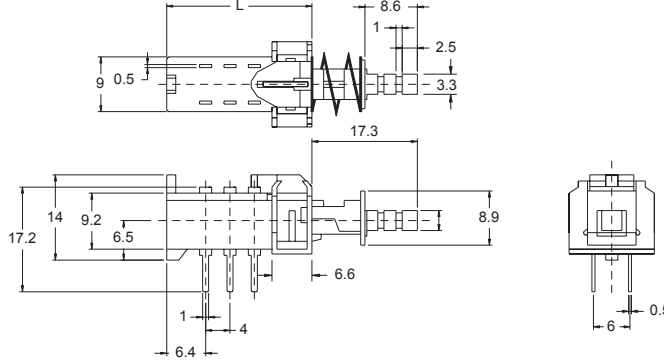


SPECIFICATIONS

RATING : AC 0.5A/100V, AC 0.2A/250V DC 1A/25V
 CONTACT RESISTANCE : 50mΩ at 1KHz
 INSULATION RESISTANCE : 100MΩ min at 500V DC
 DIELECTRIC STRENGTH : 1,000V AC / 1 minute
 WORKING TEMPERATURE RANGE : -20° C ~ +70° C
 LIFE TEST: Contact resistance less than 50mΩ after 20,000 cycles of operation

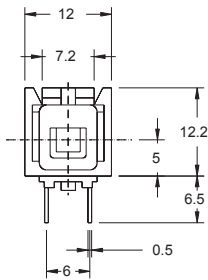
POLE

POLE	2	4	6
L(mm)	24.5	36.5	48.5

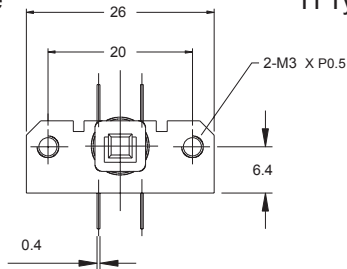


FRAME TYPE

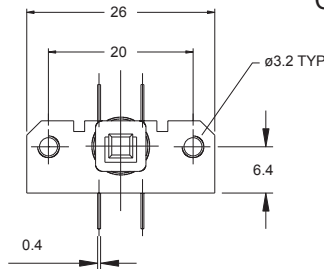
S Type



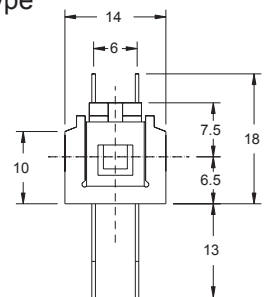
M Type



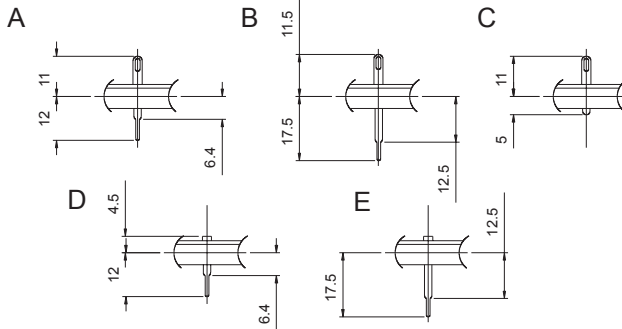
H Type



C Type



TERMINAL TYPE



OPERATION	L: LOCK IL: INTERLOCK N: NONLOCK R: RESET
TIMING	S: SHORTING N: NONSHORTING
TRAVEL	2: 2.5MM 4: 4MM
IL and RESET	

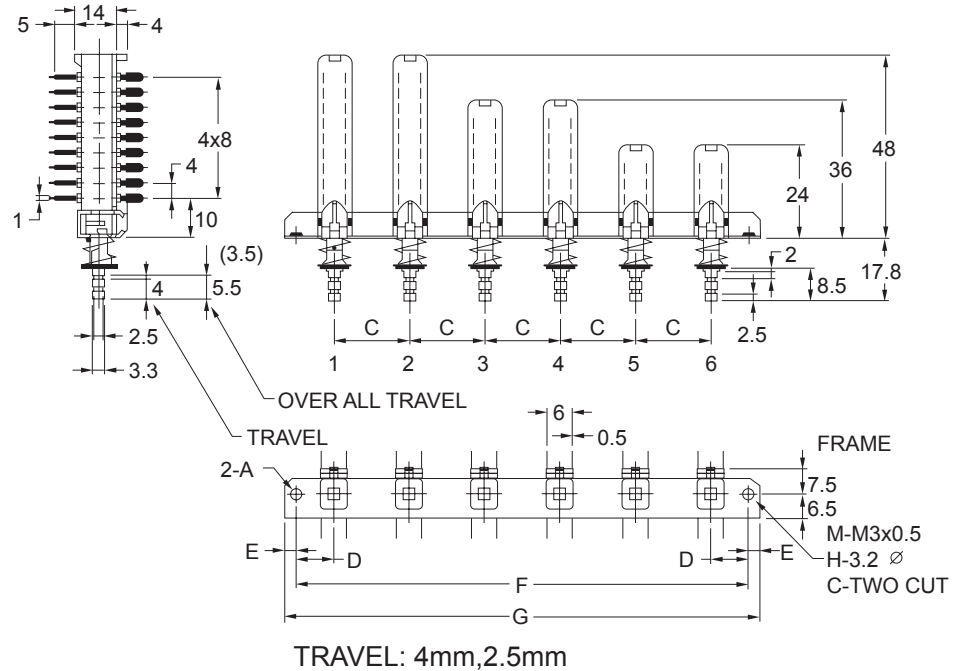
Multi-key type is in the next page.

Interlock(lock release)	When a key is depressed,the other key having previously been locked is released and the depressed key is locked.
Self-lock(latching)	Operation independent from other keys. A key is locked when it is depressed, and released when depressed again.
Non-lock(momentary)	A key is held depressed while it is being pressed down,and released when the pressing force is eliminated.
Reset	Operation for releasing the key locked in the interlock mode. A key previously locked is released when this reset key is depressed,and locked again when the key is released.This mode is available only in the switch with 0, 2 and 4 poles.

HOW TO ORDER

SERIES FRAME POLE TERMINAL OPERATION TIMING TRAVEL KNOB

□ □ □ □ □ □ □ □



D
23

FRAME TYPE

Size Pitch		G	F	C		G	F	C		G	F	C		G	F	C				
10		26	20			46	40	10		66	60	10		86	80	10		106	100	10
12.5	1	24	18		3	51	45	12.5	5	76	70	12.5	7	101	95	12.5	9	126	120	12.5
15						56	50	15		86	80	15		116	110	15		146	140	15
17.5	F				F	61	55	17.5	F	96	90	17.5	F	131	125	17.5	F	166	160	17.5
20						66	60	20		106	100	20		146	140	20		186	180	20
10		36	30	10		56	50	10		76	70	10		96	90	10		116	110	10
12.5	2	38.5	32.5	12.5	4	63.5	57.5	12.5	6	88.5	82.5	12.5	8	113.5	107.5	12.5	10	138.5	132.5	12.5
15		41	35	15		71	65	15		101	95	15		131	125	15		161	155	15
17.5	F	43.5	37.5	17.5	F	78.5	72.5	17.5	F	113.5	107.5	17.5	F	148.5	142.5	17.5	F	183.5	177.5	17.5
20		46	40	20		86	80	20		126	120	20		166	160	20		206	200	20

HOW TO ORDER

FRAME TYPE

M M3X0.5

H \varnothing 3.2

C TWO CUT

KEY	1	2	3	4	5	6	7	8	9	10	11	12	13	14	15	16
OPTION																
POLE																
TERMINAL TYPE																
OPERATING																
TIMING N/S																
TRAVEL																
KNOB																
PITCH	<input type="checkbox"/> 10mm <input type="checkbox"/> 12.5mm <input type="checkbox"/> 15mm <input type="checkbox"/> 17.5mm <input type="checkbox"/> 20mm <input type="checkbox"/> 25mm <input type="checkbox"/> 30mm															

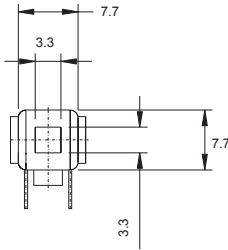


SPECIFICATIONS

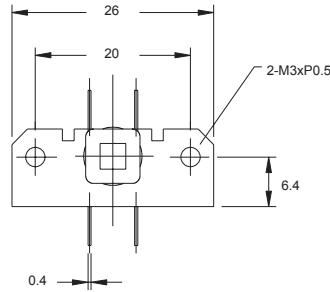
RATING : AC 0.5A/100V, AC 0.2A/250V DC 1A/25V
 CONTACT RESISTANCE : 20mΩ at 1KHz
 INSULATION RESISTANCE : 100Mohm min at 500V DC
 VOLTAGE BREAKDOWN : 500VDC / 1 minute
 WORKING TEMPERATURE RANGE : -20° C ~ +70° C
 LIFE TEST: Contact resistance less than 50mΩ after 20,000 cycles of operation

FRAME TYPE

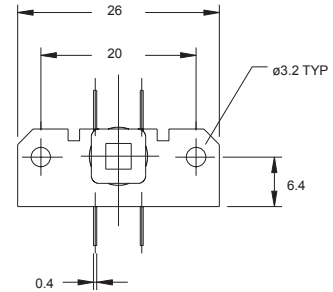
S Type



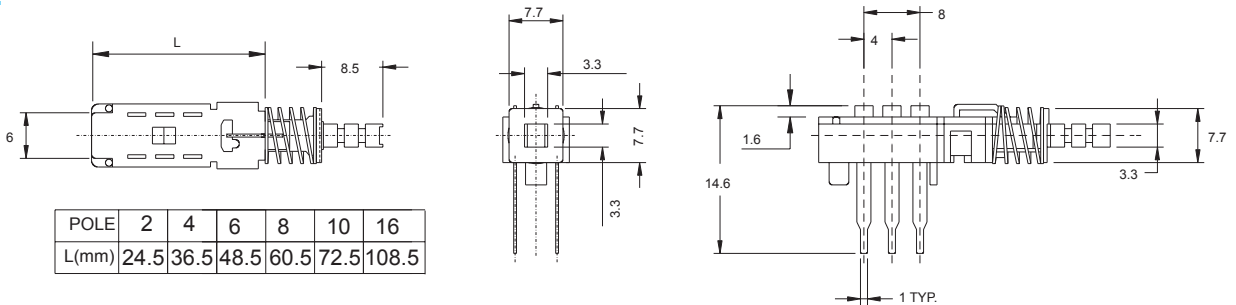
M Type



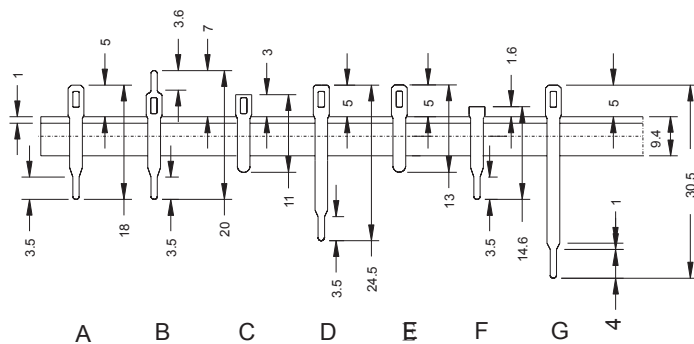
H Type



POLE



TERMINAL TYPE



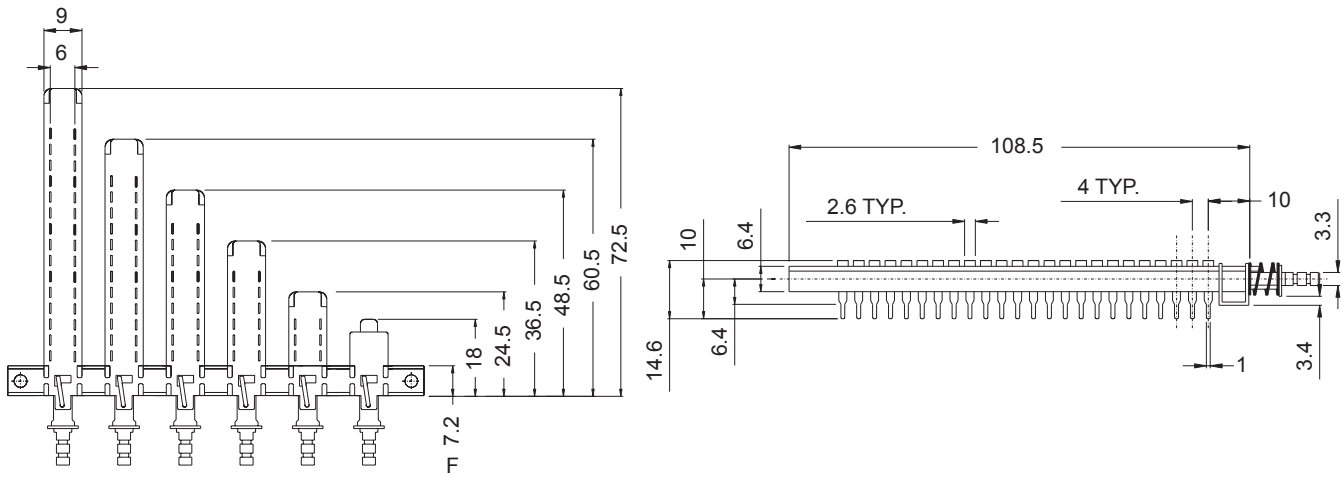
OPERATION	L: LOCK IL: INTERLOCK N: NONLOCK R: RESET
TIMING	S: SHORTING N: NONSHORTING
TRAVEL	2: 2.5MM 4: 4MM
IL and RESET	

Multi-key type is in the next page.

Interlock(lock release)	When a key is depressed, the other key having previously been locked is released and the depressed key is locked.
Self-lock(latching)	Operation independent from other keys. A key is locked when it is depressed, and released when depressed again.
Non-lock(momentary)	A key is held depressed while it is being pressed down, and released when the pressing force is eliminated.
Reset	Operation for releasing the key locked in the interlock mode. A key previously locked is released when this reset key is depressed, and locked again when the key is released. This mode is available only in the switch with 0, 2 and 4 poles.

HOW TO ORDER

SERIES FRAME POLE TERMINAL OPERATON TIMING TRAVEL KNOB



D
25

FRAME TYPE

Size Pitch		G	F	C		G	F	C		G	F	C		G	F	C		G	F	C
10		26	20			46	40	10		66	60	10		86	80	10		106	100	10
12.5	1	24	18		3	51	45	12.5	5	76	70	12.5	7	101	95	12.5	9	126	120	12.5
15						56	50	15		86	80	15		116	110	15		146	140	15
17.5	F				F	61	55	17.5	F	96	90	17.5	F	131	125	17.5	F	166	160	17.5
20						66	60	20		106	100	20		146	140	20		186	180	20
10		36	30	10		56	50	10		76	70	10		96	90	10		116	110	10
12.5	2	38.5	32.5	12.5	4	63.5	57.5	12.5	6	88.5	82.5	12.5	8	113.5	107.5	12.5	10	138.5	132.5	12.5
15		41	35	15		71	65	15		101	95	15		131	125	15		161	155	15
17.5	F	43.5	37.5	17.5	F	78.5	72.5	17.5	F	113.5	107.5	17.5	F	148.5	142.5	17.5	F	183.5	177.5	17.5
20		46	40	20		86	80	20		126	120	20		166	160	20		206	200	20

HOW TO ORDER

FRAME TYPE

M M3X0.5

H ø3.2

C TWO CUT

KEY	1	2	3	4	5	6	7	8	9	10	11	12	13	14	15	16
OPTION																
POLE																
TERMINAL TYPE																
OPERATING																
TIMING N/S																
TRAVEL																
KNOB																
PITCH	<input type="checkbox"/> 10mm <input type="checkbox"/> 12.5mm <input type="checkbox"/> 15mm <input type="checkbox"/> 17.5mm <input type="checkbox"/> 20mm <input type="checkbox"/> 25mm <input type="checkbox"/> 30mm															

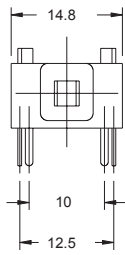


SPECIFICATIONS

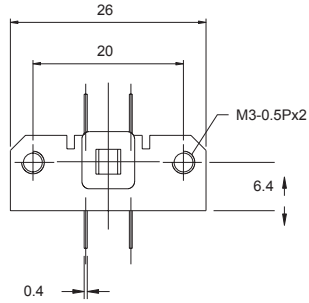
RATING : AC 250V 4A
 CONTACT RESISTANCE : Under 40mΩ
 VOLTAGE : AC 1500V
 OPERATION FORCE : 1500g
 TRAVEL : Max 4.7mm, Min 3.2mm

FRAME TYPE

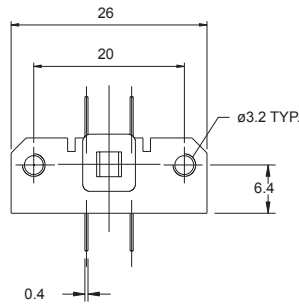
S Type



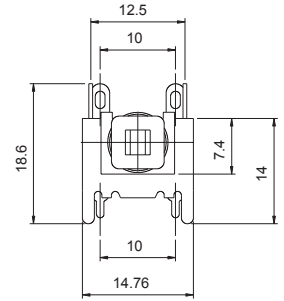
M Type



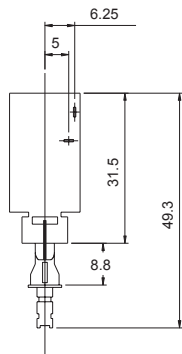
H Type



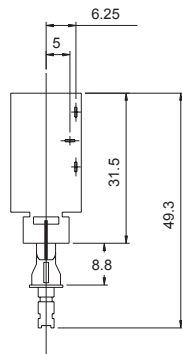
P Type



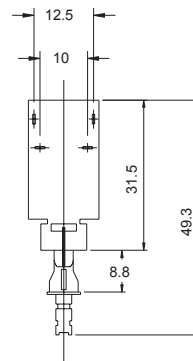
POLE



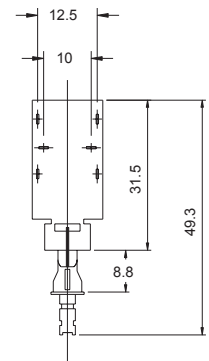
1.SPST



2.SPDT



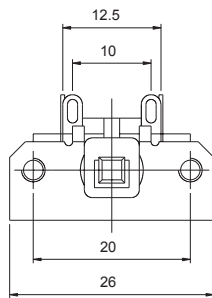
3.DPDT



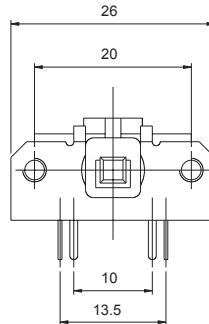
4.DPDT

TERMINAL TYPE

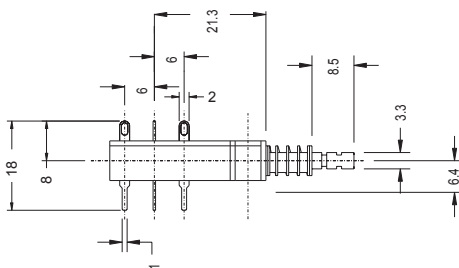
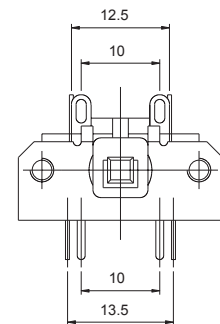
W Type(wiring)



P Type(P.C.B)



B Type(wiring ang P.C.B)



OPERATION L: LOCK
 N: NON LOCK
 Multi-key type is in the next page

HOW TO ORDER

SERIES

FRAME

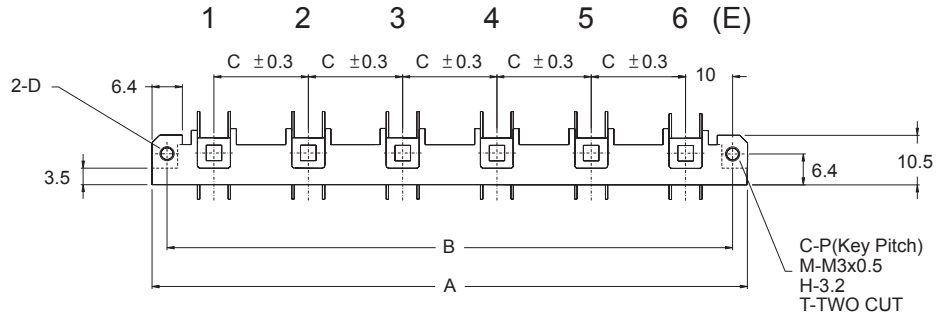
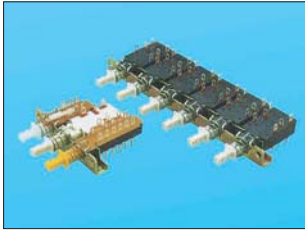
POLE

TERMINAL

OPERATION

KNOB

FRAME



D
27

Frame Type

KEY \ PITCH	KEY	1	2	3	4	5	6	7	8	9	10	11	12
	P=15	B	-	29	44	59	74	89	104	119	134	149	164
A		20	35	50	60	80	95	110	125	140	155	170	185
P=17.5	B	-	31.5	49	66.5	84	101.5	119	136.5	154	171.5	189	206.5
	A	-	37.5	55	72.5	90	107.5	125	142.5	160	177.5	195	212.5
P=20	B	-	34	54	74	94	114	134	154	174	194	214	234
	A	-	40	60	80	100	120	140	160	180	200	220	240

HOW TO ORDER

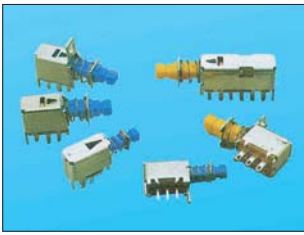
FRAME TYPE

M M3X0.5

H $\phi 3.2$

C TWO CUT

OPTION \ KEY	1	2	3	4	5	6	7	8	9	10	11	12	13	14	15	16
POLE																
TERMINAL TYPE																
OPERATING																
TIMING N/S																
TRAVEL																
KNOB																
PITCH	<input type="checkbox"/> 15mm <input type="checkbox"/> 17.5mm <input type="checkbox"/> 20mm <input type="checkbox"/> 25mm <input type="checkbox"/> 30mm															

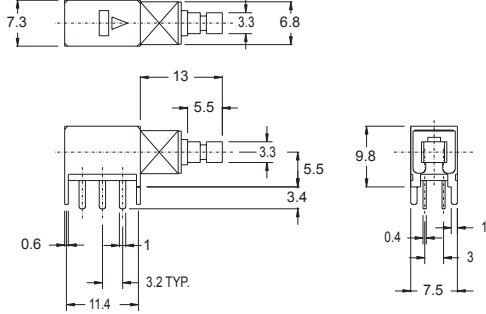


SPECIFICATIONS

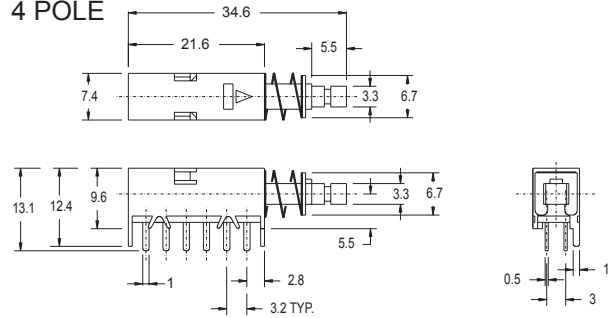
RATING : 30V DC, 0.3A
 CONTACT RESISTANCE : 20m max
 INSULATION RESISTANCE : 500V DC-100MΩmin
 WITH STANDARD VOLTAGE: 500V AC-1minute
 LIFE CYCLE: 10,000 cycles

POLE

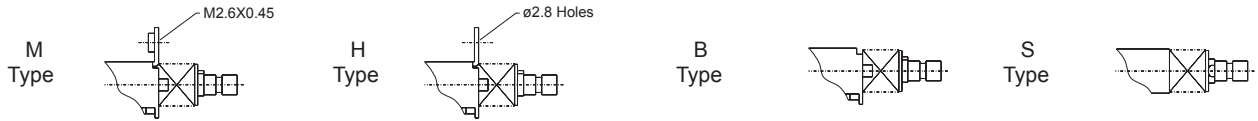
2 POLE



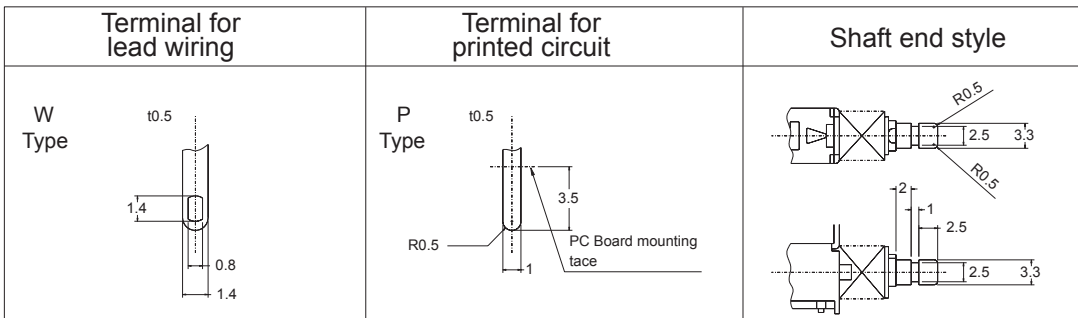
4 POLE



FRAME TYPE



TERMINAL TYPE

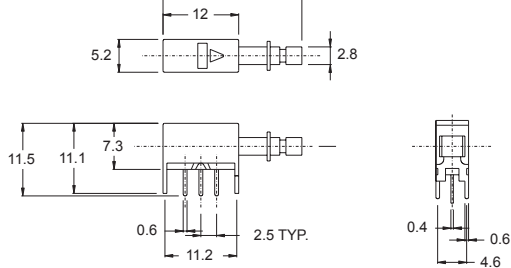


OPERATION:
 L = LOCK
 N = NON LOCK

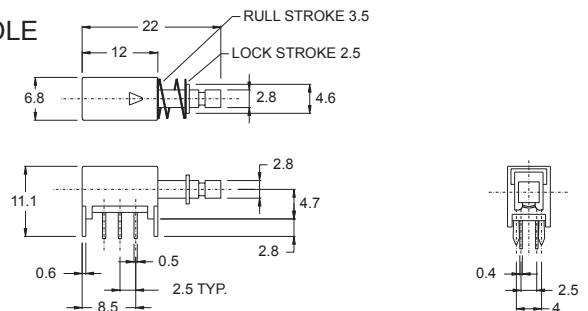
WPMS SERIES Mini Pushbutton Switch

POLE

1 POLE

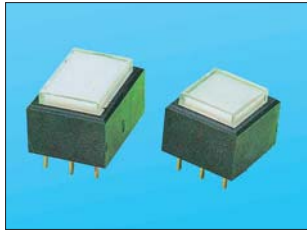


2 POLE



HOW TO ORDER



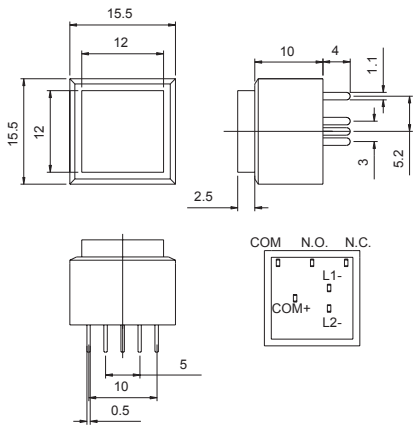


SPECIFICATIONS

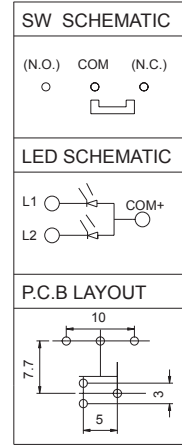
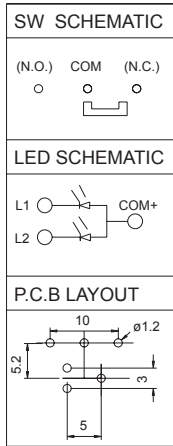
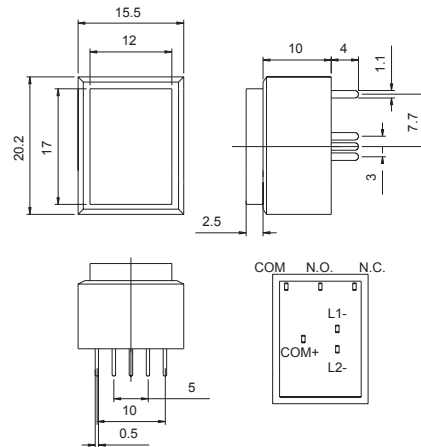
RATING : 0.4VA max. @20VAC or DC max
 CONTACT RESISTANCE: Less than 30mΩ(initial) at 1A and 6VDC
 INSULATION RESISTANCE : More than 100MΩat DC 500 V megger
 ELECTRICAL LIFE : over 30,000 operations at max (rated load)
 AMBIENT TEMPERATURE : -15° C ~ +50° C

SIZE

S



L



POLE	1: 1POLE 2: 2POLE
TERMINAL	P: P.C. BOARD TERMINAL W: WIRING TERMINAL
OPERATION	L: LOCK N: NON LOCK

LED 5V 20mA

(R→RED, G→GREEN, Y→YELLOW)

R,R	G,G	Y,Y
R,G	G,R	Y,R
R,Y	G,Y	Y,G

CONTACT MATERIAL

Q END CONTACTS : Coin silver, silver plated
 CENTER CONTACT & ALL TERMINALS : Brass, silver plated
 RATING : 3 AMPS @125V AC or 28V DC ; 1 AMP @ 250V AC

R CONTACTS & TERMINALS : Brass, with gold plated over nickel plate
 RATING : 0.4VA max. @20V AC or DC max

HOW TO ORDER

SERIES [] SIZE [] POLE [] TERMINAL [] OPERATION [] LED [] CONTACT MATERIAL []

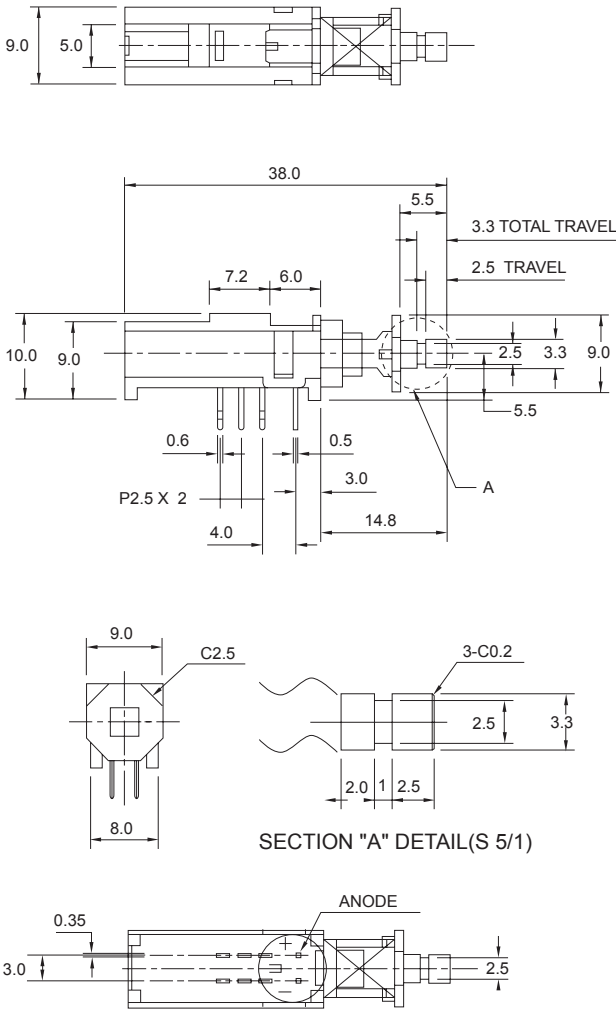


SPECIFICATIONS

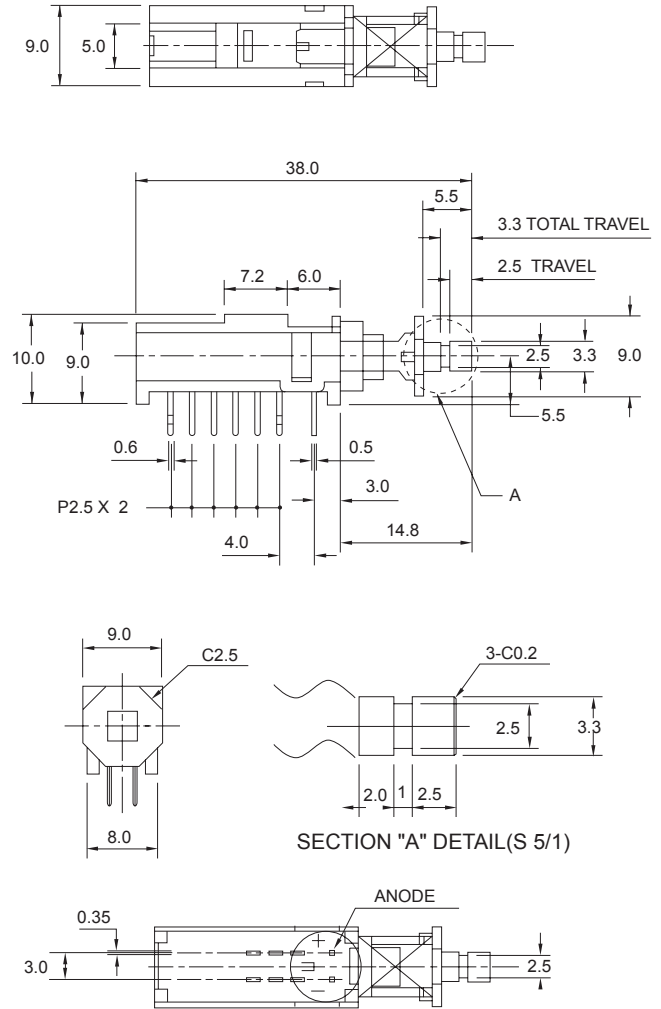
RATING : DC 30V 0.1A
 CONTACT RESISTANCE : < 30mΩ
 INSULATION RESISTANCE : >100MΩDC 500V
 OPERATING FORCE: 100~400gf
 AMBIENT TEMPER USED: -20° C ~ +70° C
 ELECTRICAL LIFE: 10,000 cycles

POLE

2 POLE



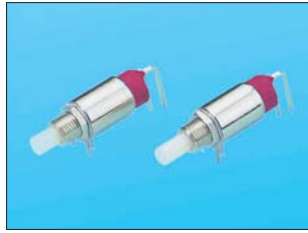
4 POLE



OPERATION	L: LOCK N: NON LOCK	
LED 5V 20mA R → RED G → GREEN Y → YELLOW B → BLUE	ONE COLOR	R(?), G(비), Y(뽕), B(찌)
	TWO COLOR	(R,G)(R,Y)(R,B)(G,R)(G,Y)(G,B)(Y,R) (Y,G)(Y,B)(B,R)(B,G)(B,Y)

HOW TO ORDER



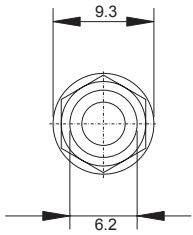


SPECIFICATIONS

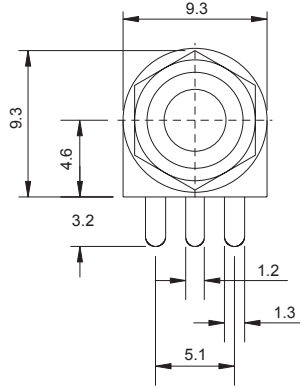
RATING : 1Amp at 120VAC or 28VDC, or 0.5Amps at 250VAC
 INITIAL CONTACT RESISTANCE: <math><20\text{m}\Omega</math>
 INSULATION RESISTANCE: Greater than 10,000M Ω
 OPERATING TEMPERATURE : RANGE -30° C~+85° C

FRAME TYPE

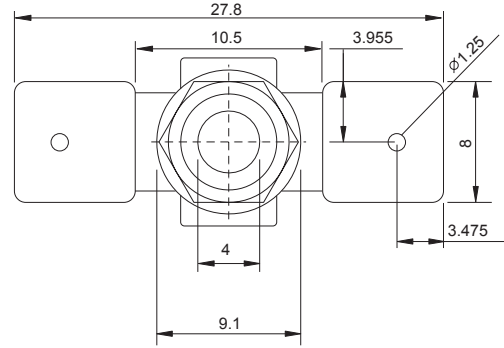
S TYPE



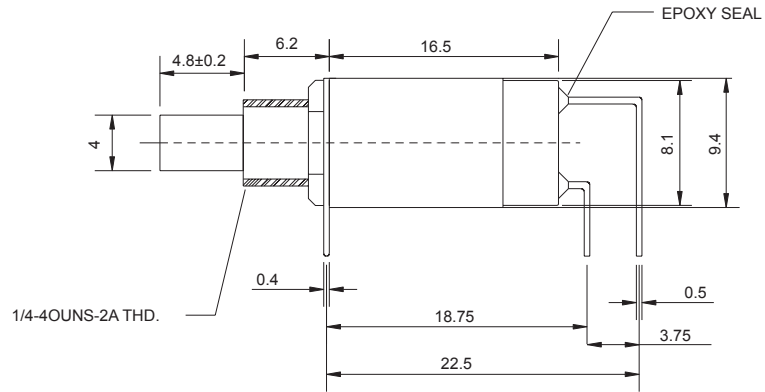
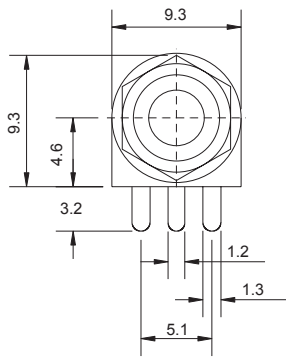
P TYPE



M TYPE

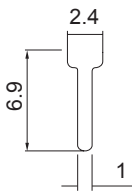


POLE: 1 POLE (SPST)

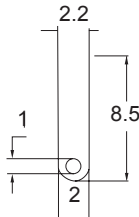


TERMINAL TYPE

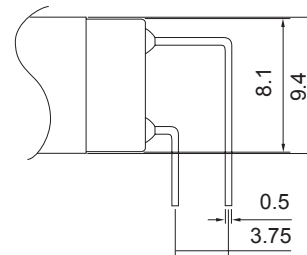
P TYPE



W TYPE



B TYPE



OPERATION	L: LOCK N: NON LOCK
-----------	------------------------

HOW TO ORDER

